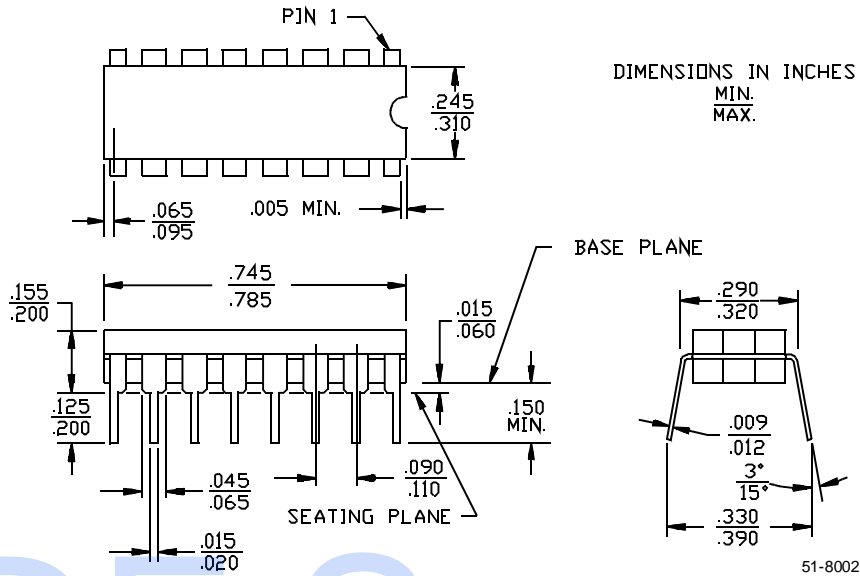
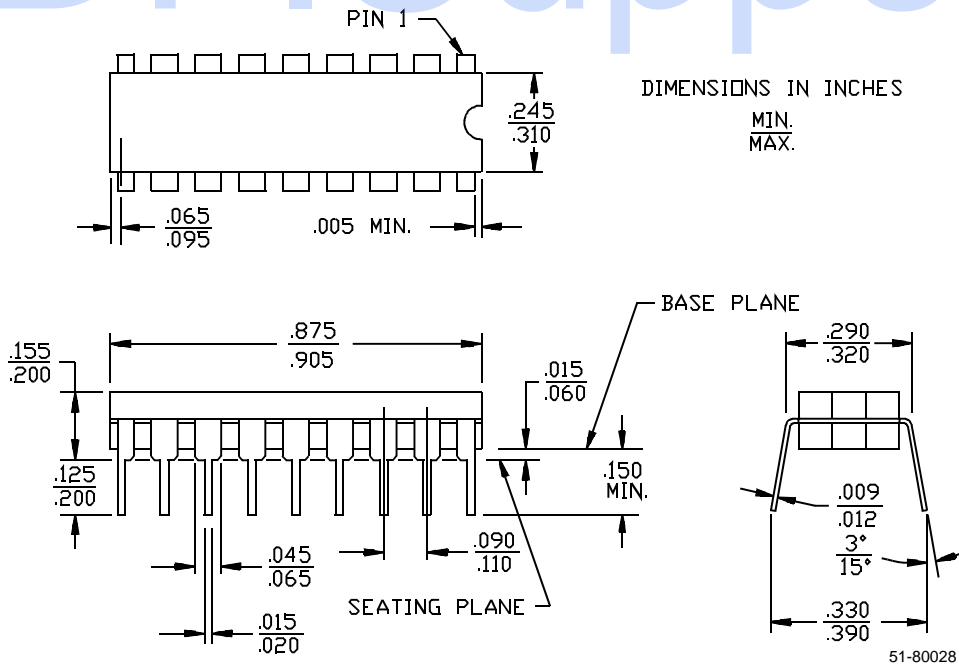
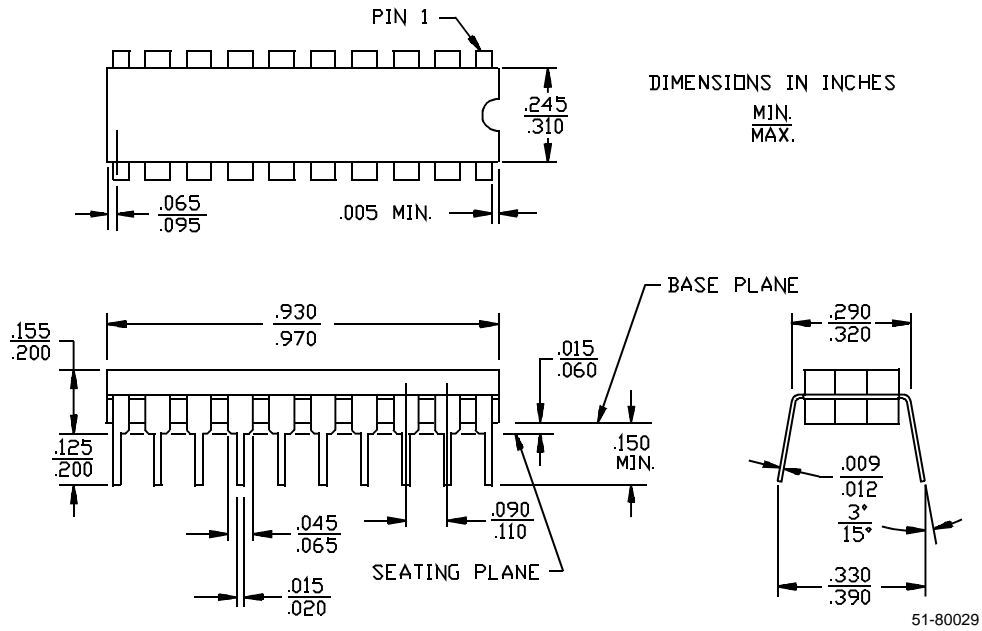
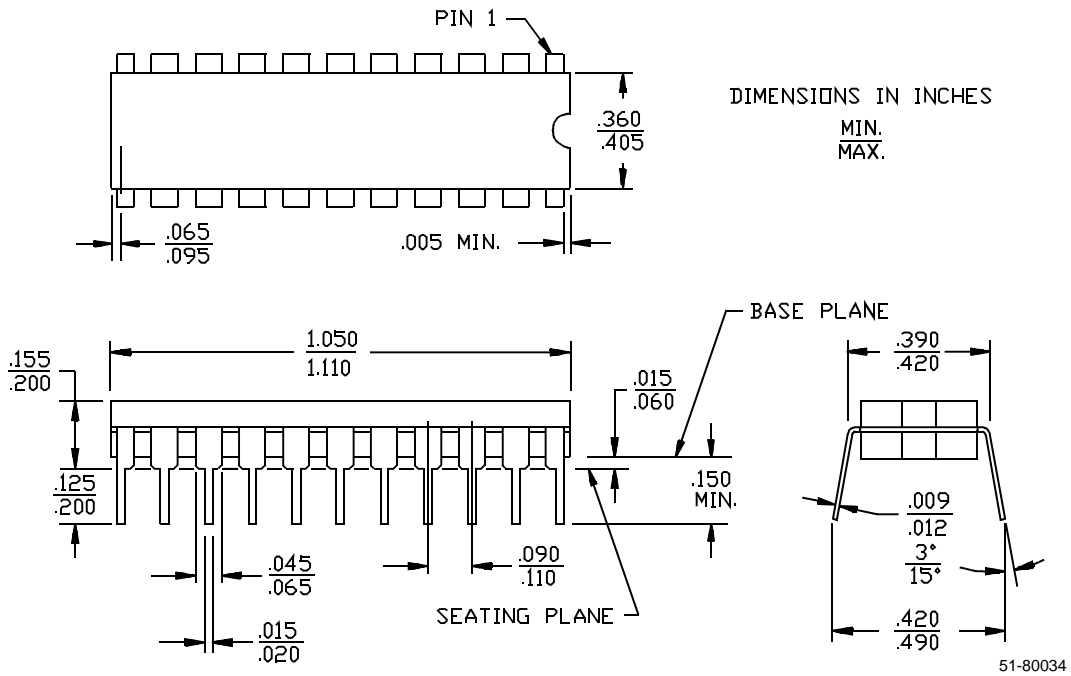


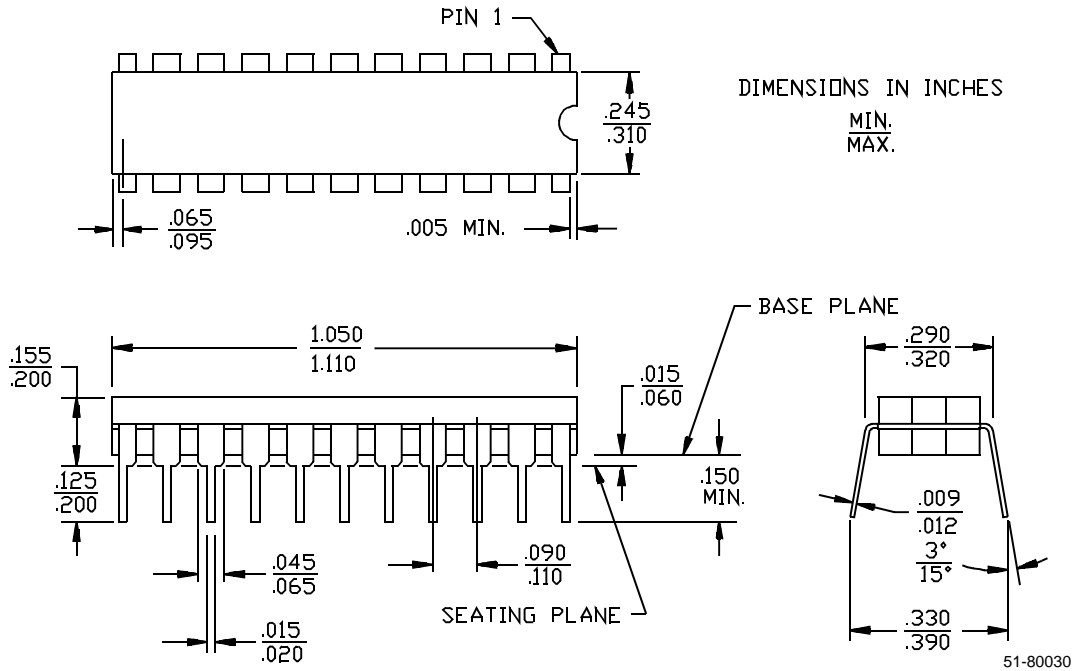
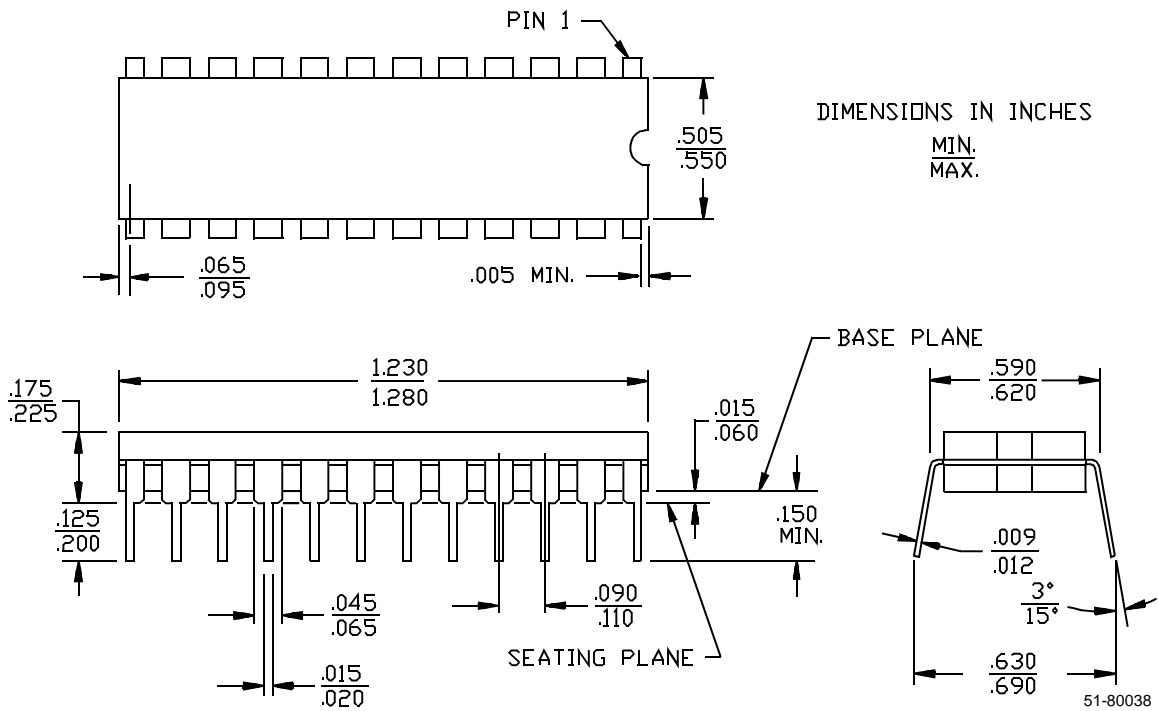
**Ceramic Dual-In-Line Packages**
**16-Lead (300-Mil) CerDIP D2**  
 MIL-STD-1835 D-2 Config. A

**18-Lead (300-Mil) CerDIP D4**  
 MIL-STD-1835 D-6 Config. A


**20-Lead (300-Mil) CerDIP D6**  
MIL-STD-1835 D-8 Config. A

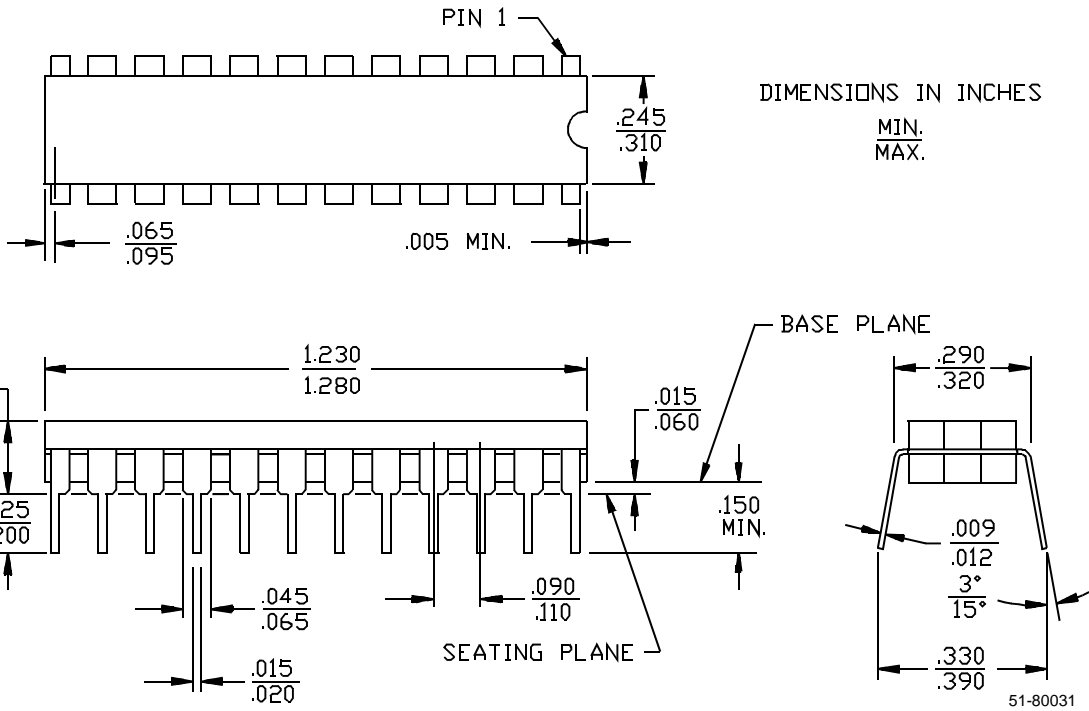


**22-Lead (400-Mil) CerDIP**  
MIL-STD-1835 D-7 Config. A

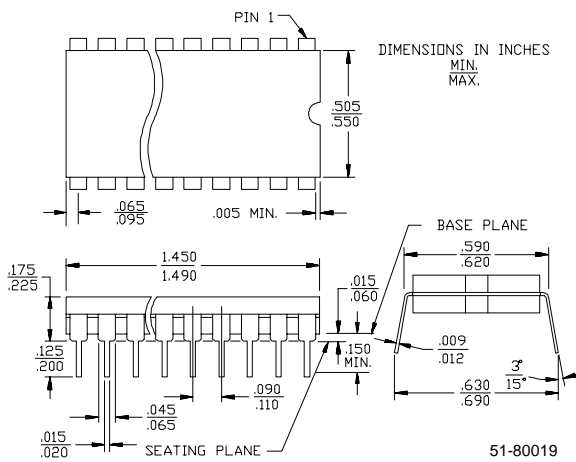


**22-Lead (300-Mil) CerDIP D10**

**24-Lead (600-Mil) CerDIP D12**  
MIL-STD-1835 D-3 Config. A


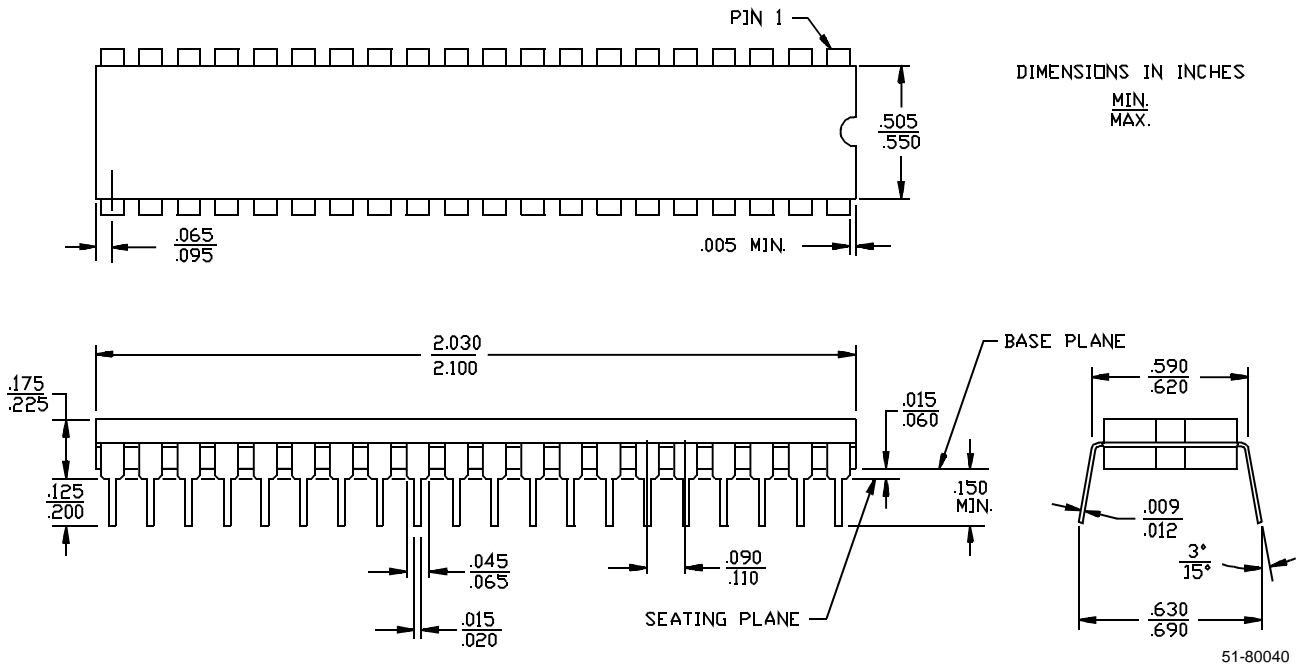
**24-Lead (300-Mil) CerDIP D14**  
MIL-STD-1835 D-9 Config.A



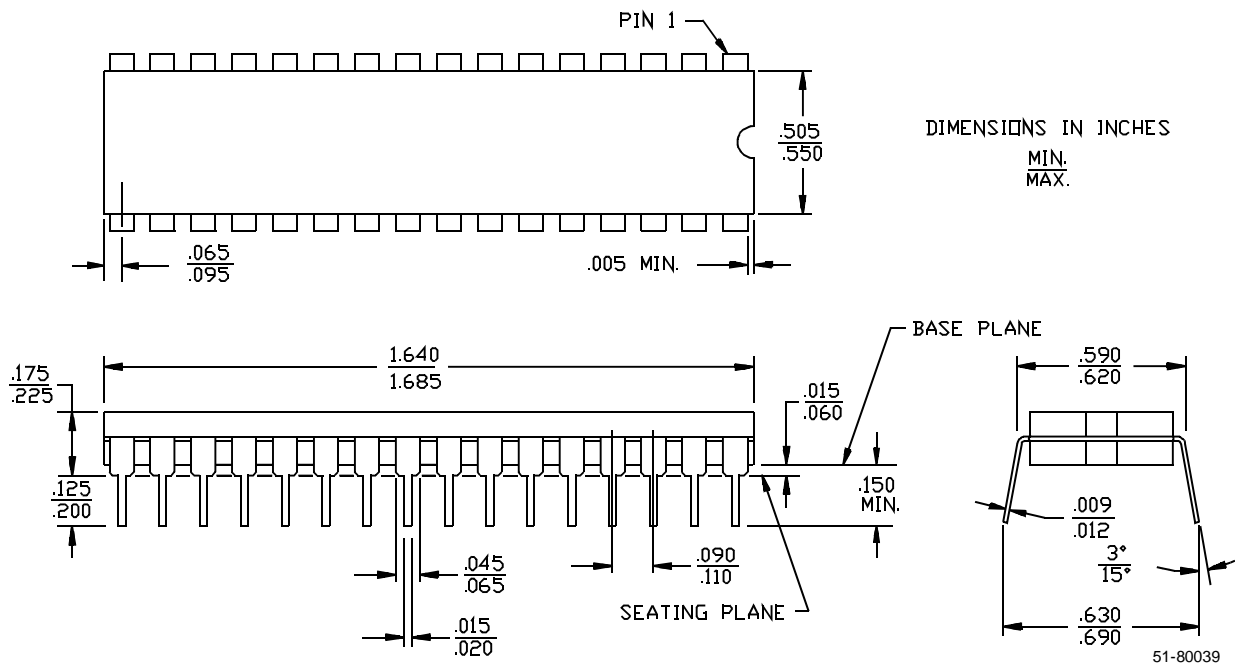
**28-Lead (600-Mil) CerDIP D16**  
MIL-STD-1835 D-10 Config. A



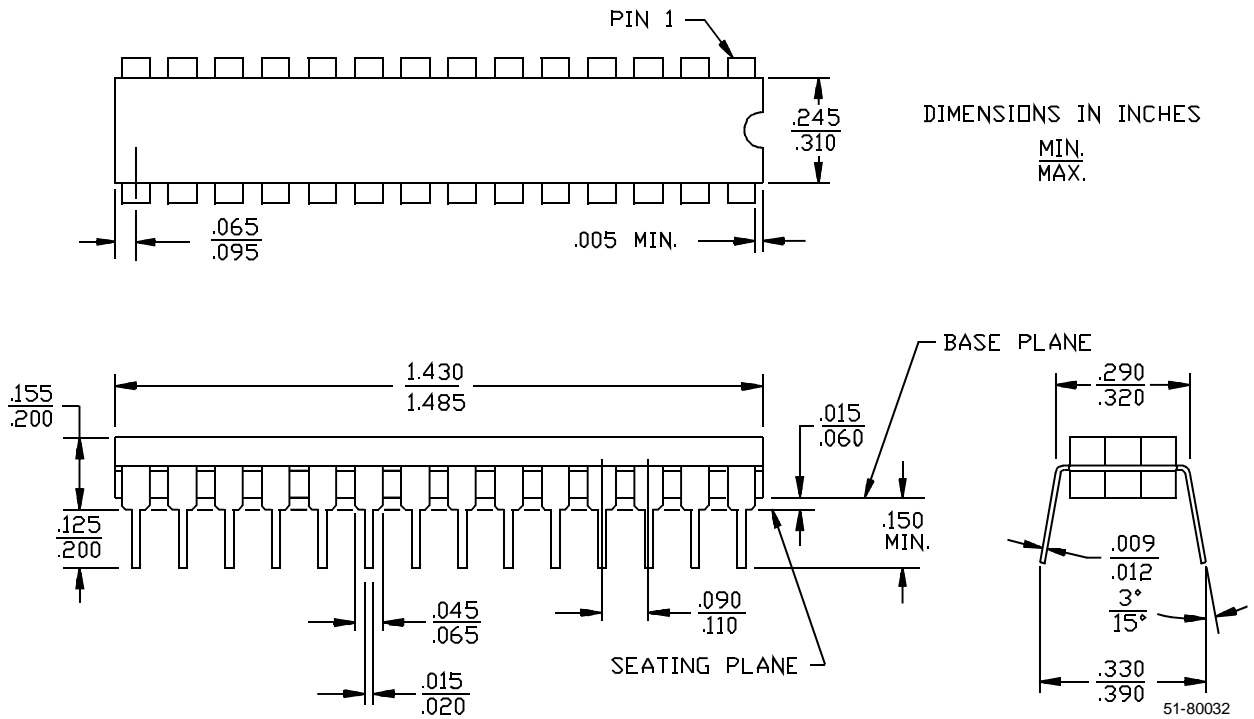
**40-Lead (600-Mil) CerDIP D18**  
MIL-STD-1835 D-5 Config. A



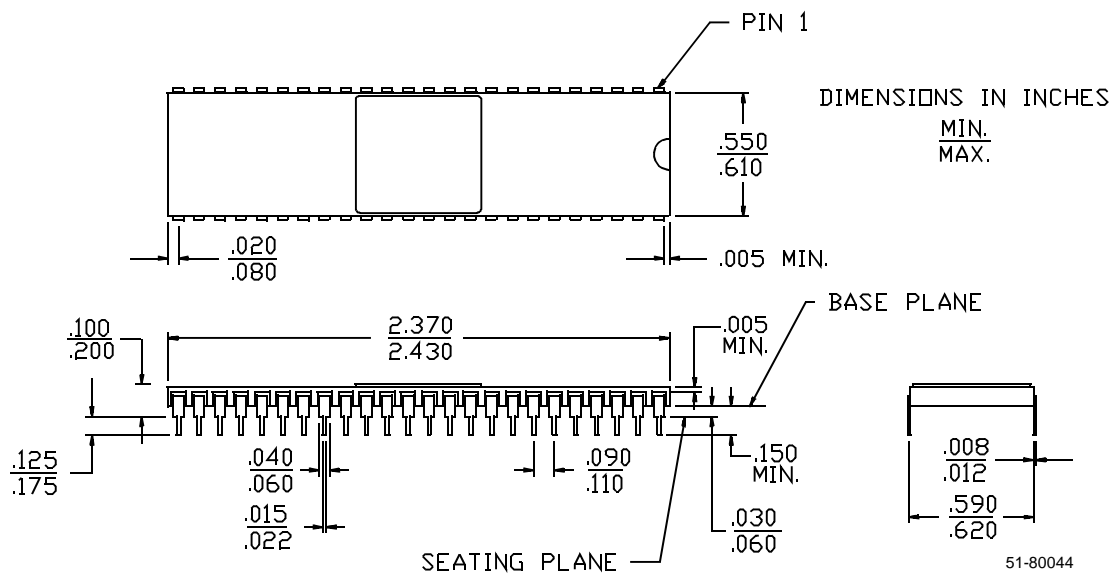
**32-Lead (600-Mil) CerDIP D20**



**28-Lead (300-Mil) CerDIP D22**  
MIL-STD-1835 D-15 Config. A

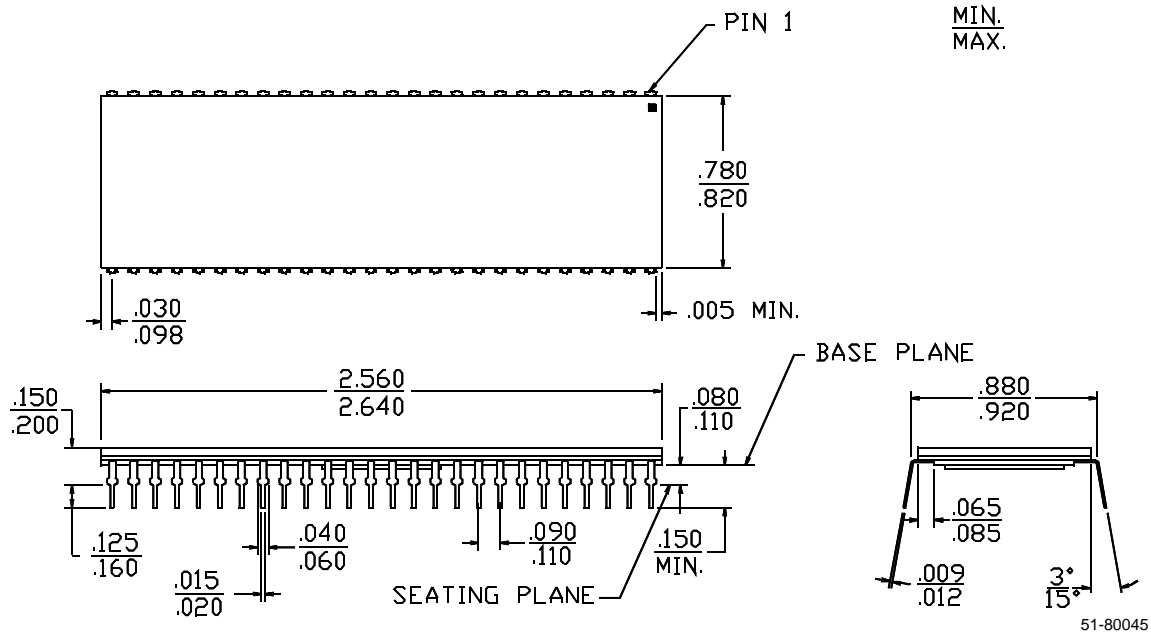


**48-Lead (600-Mil) Sidebrazed DIP D26**  
MIL-STD-1835 D-14 Config. C

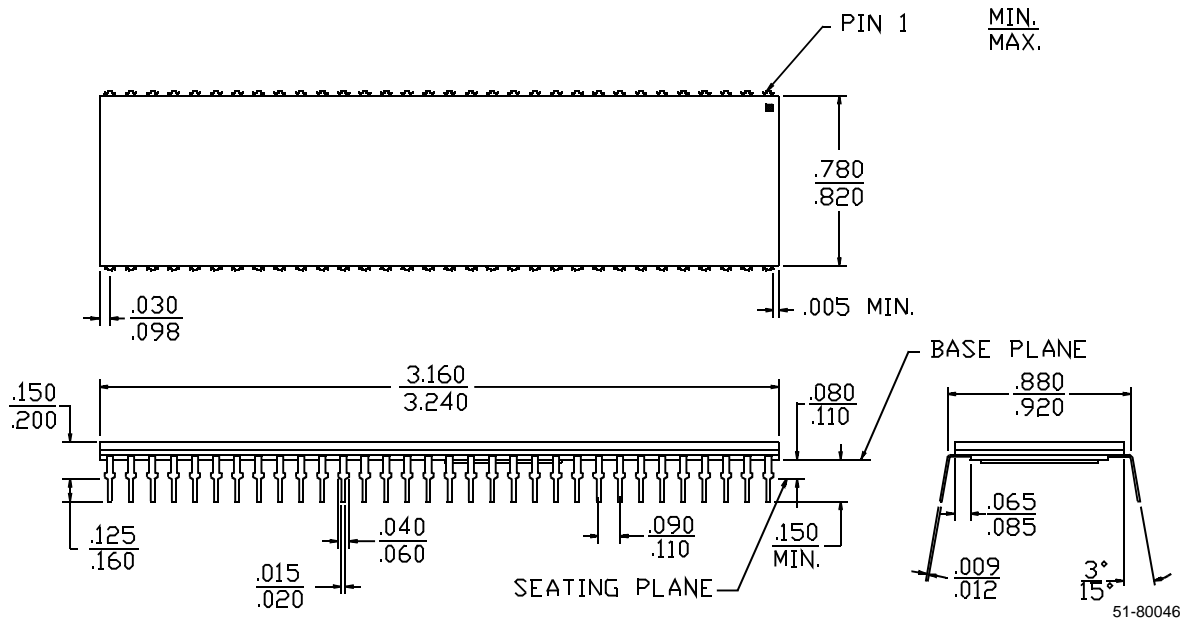


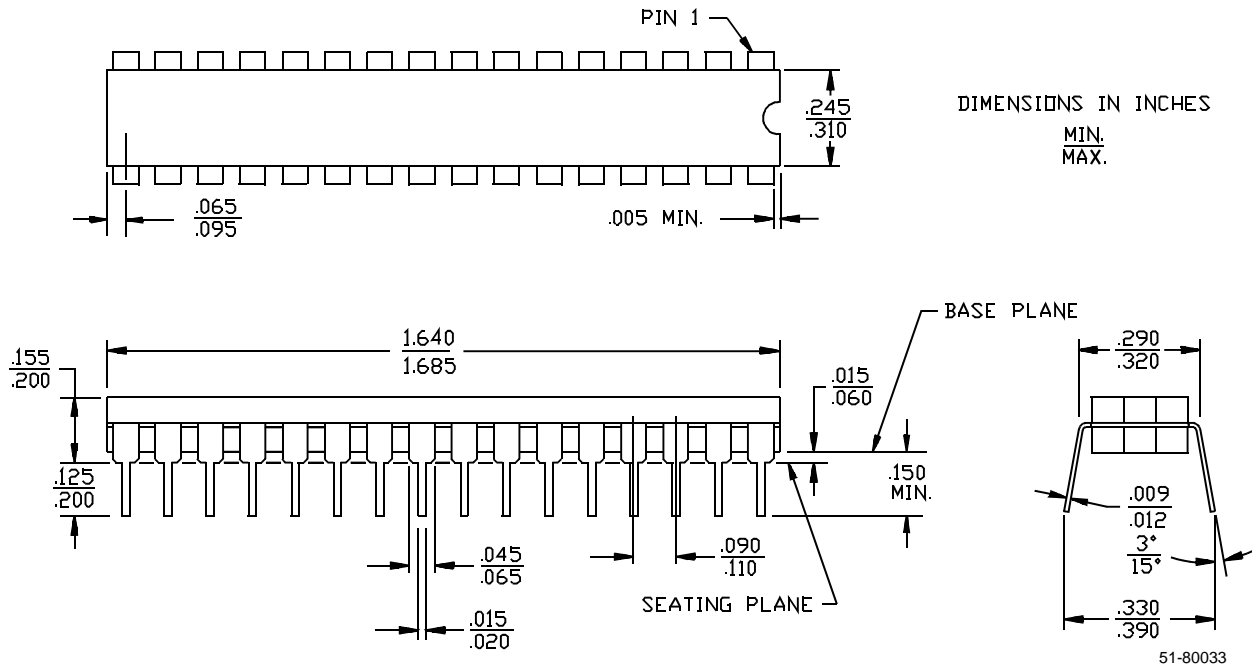
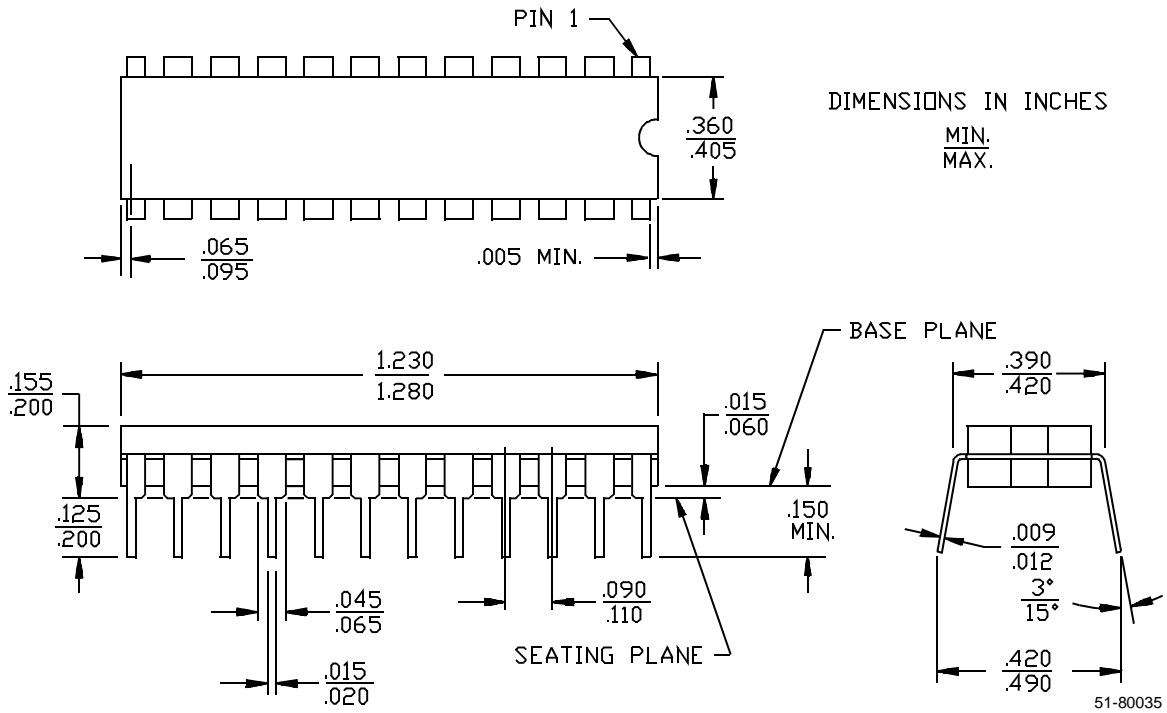
**52-Lead (900-Mil) Bottombraze DIP D28**

DIMENSIONS IN INCHES

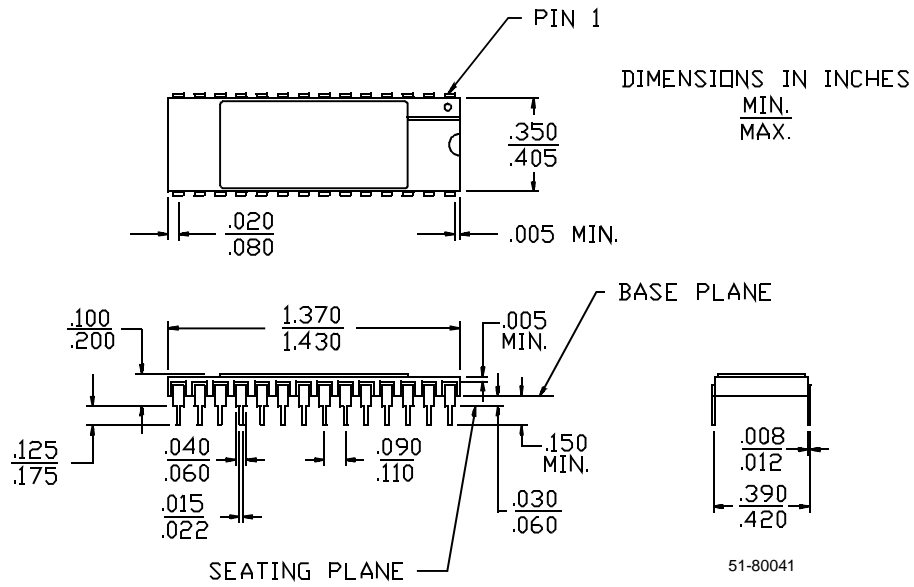
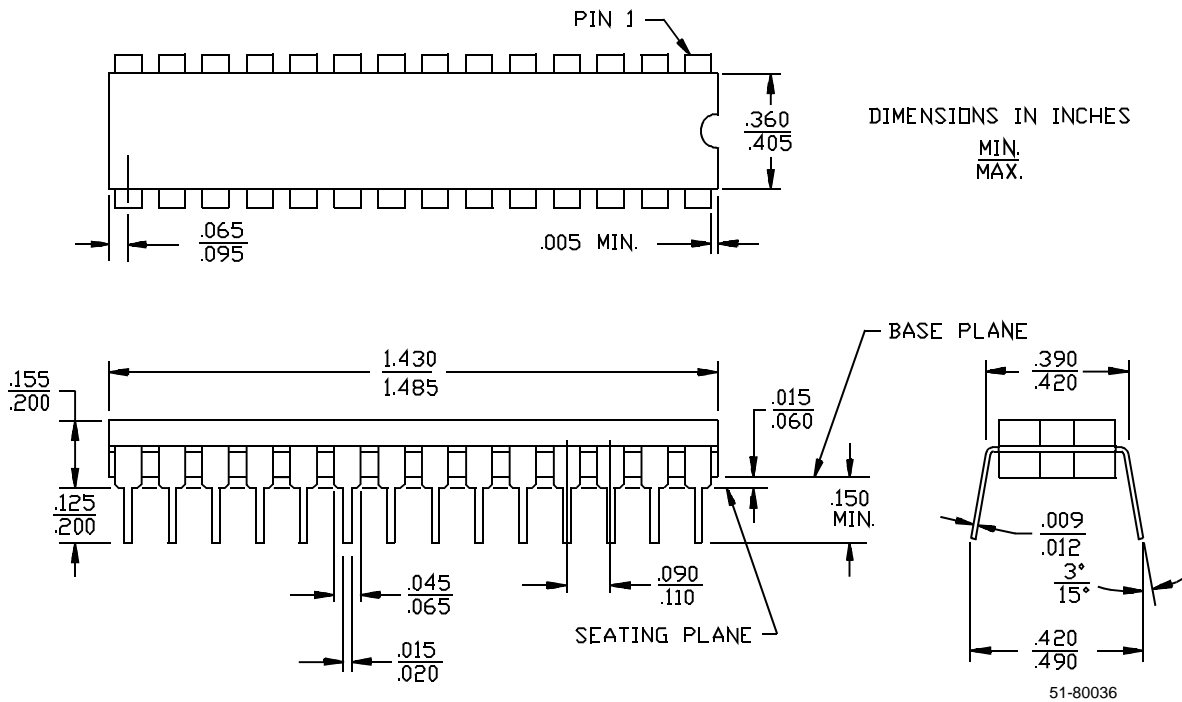

**64-Lead (900-Mil) Bottombraze DIP D30**

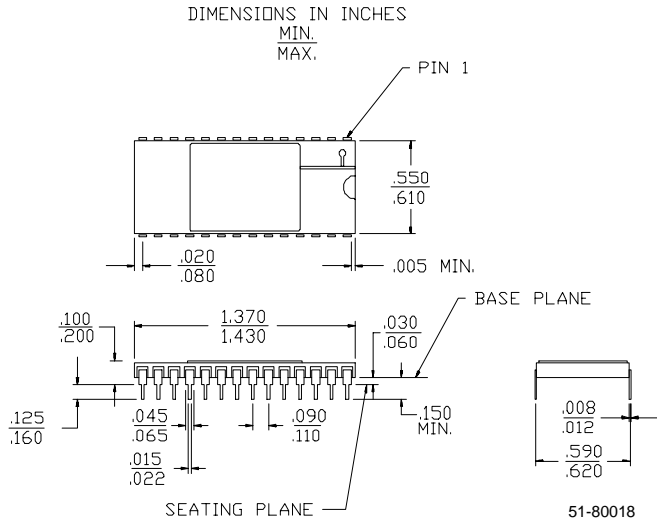
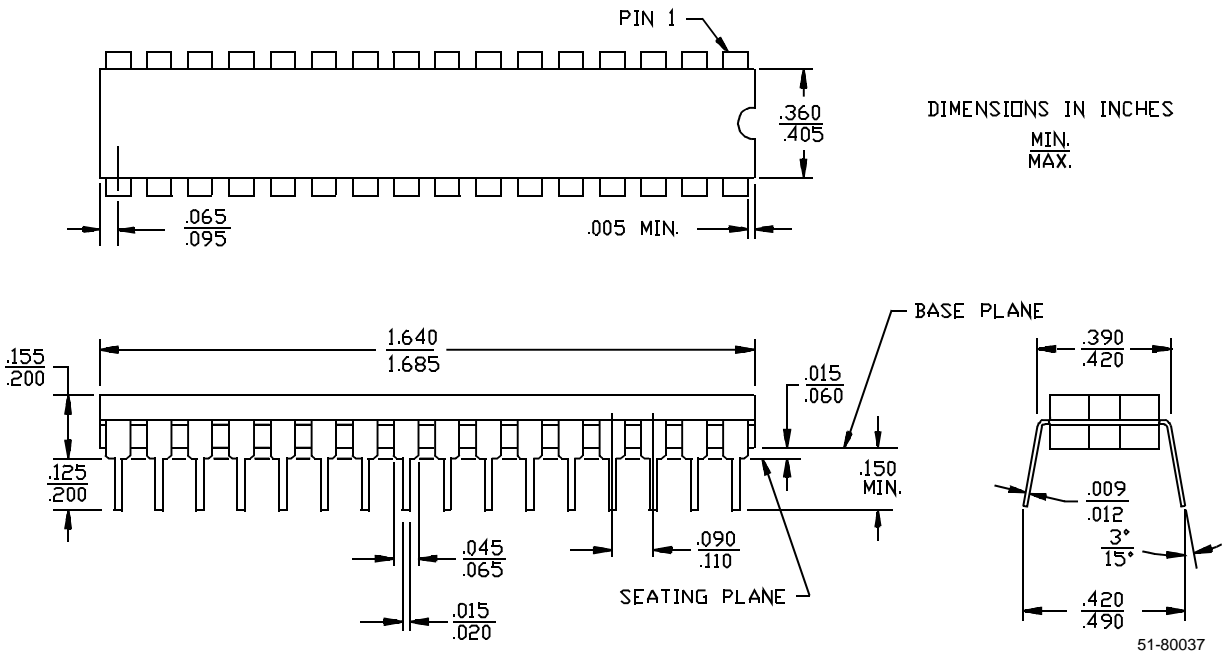
DIMENSIONS IN INCHES

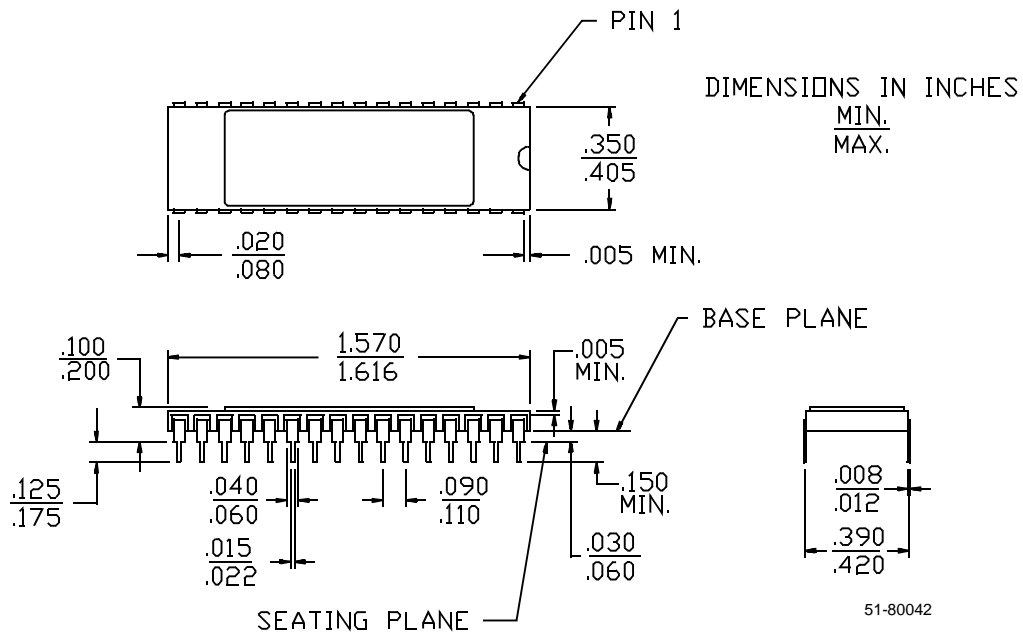


**32-Lead (300-Mil) CerDIP D32**

**24-Pin (400-Mil) CerDIP D40**




**28-Lead (400-Mil) Sidebrazed DIP D41**

**28-Lead (400-Mil) CerDIP D42**


**28-Lead (600-Mil) Sidebrazed DIP D43**

**32-Lead (400-Mil) CerDIP D44**


**32-Lead (400-Mil) Sidebrazed DIP D46**

**32-Lead (600-Mil) Sidebrazed DIP D50**
